



Company Profile

www.anchuandz.com.cn

 AC900/AC600 Model and technical data & Motors

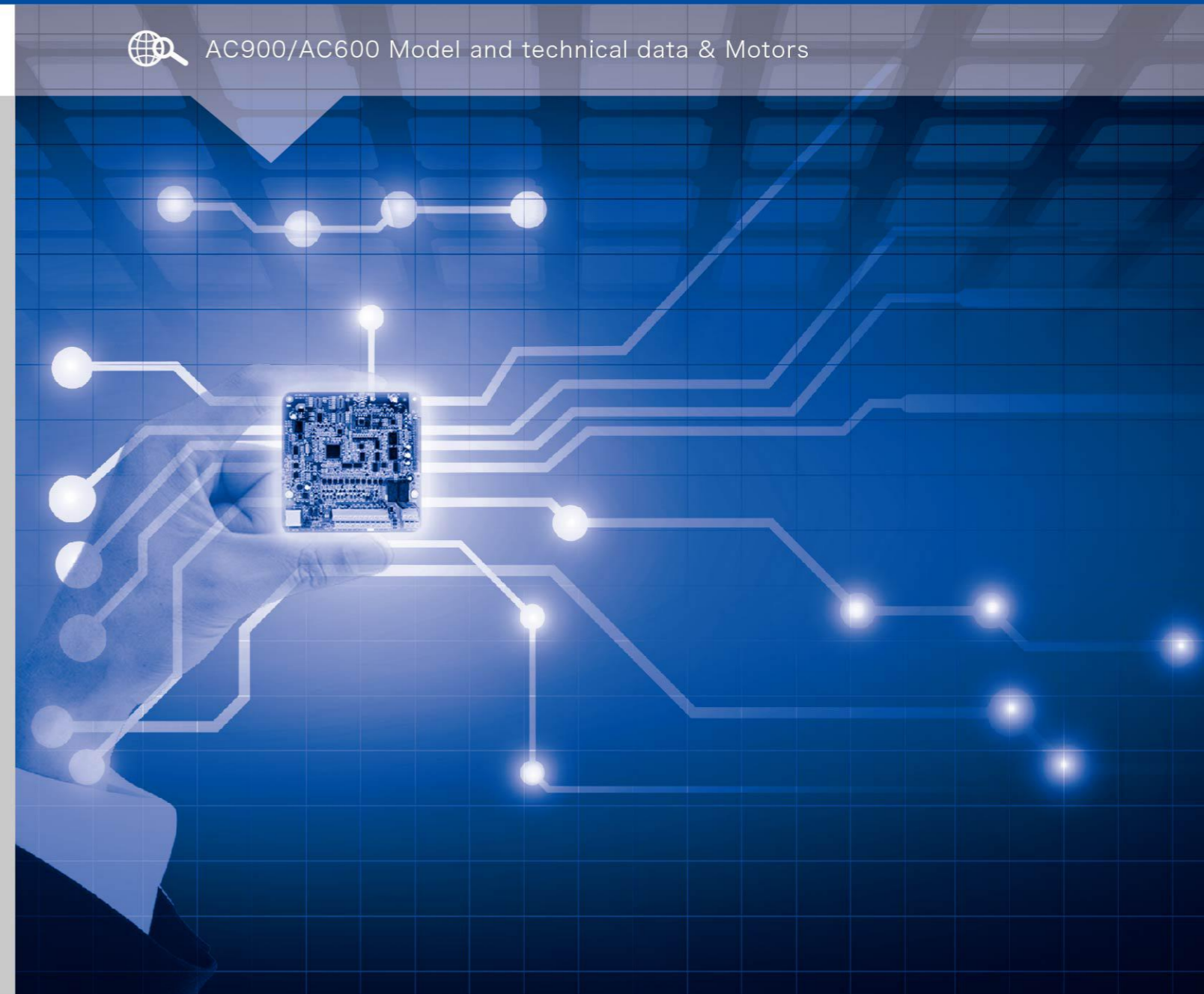


Hotline:
400-886-9116



Web:
www.anchuandz.com.cn

www.anchuandz.com.cn



RuiAn AnChuan Electronic Technology Co.,LTD

-  Hotline: 400-886-9116
-  Fax: 86 0577 65500899
-  Email: Anchuandz@gmail.com
-  Website: www.anchuandz.com.cn
-  Address: No. 2 Lianzhong Road, Tingtian Street, Ruian City, Zhejiang Province

ANCHUAN
Electronics



ANCHUAN Preface



ANCHUAN Qualifications



RuiAn Anchuan electronics Co.,Ltd was established in 2009, located in wenzhou city, zhejiang province, which is a high-tech enterprise specializing in the development, production and sales of frequency inverters and power electronics products.

In the process of product research and development, the company always adheres to the principle of quality first, and adopts the world-class high and new technology (such as DSP technology, current vector technology, IPM) to specialize in the production and sales of frequency inverters.

All of our products comply with international quality

standard and are greatly appreciated in a variety of different markets throughout the world, it's covers China, Middle east, South Africa, Africa, South America, Europe etc. We have passed ISO14001 Certificate, ISO9001 Certificate, CE certificate, SGS certificate.

"Quality is the gold, service is the heart", our focus on providing right solution for different project and creating a modern enterprise with honesty, integrity, efficiency, innovation with excellent independent brand (Anchuan) and sustainable development. Accelerating the process of world industrialization is always our unchanging goal.

Product characteristics

- High efficiency
- less noise
- Super stable performance.
- Problem Rate less than 0.7%
- 24 Months warranty time.
- OEM and ODM

Company's Introduction

- SMT automatic production
- Inverter Assembly line
 - PCB welding
 - Withstand test
 - Assembly
 - Loading test
 - Aging test
 - Packed product



Company's Introduction



· PCB welding



· Withstand test



· Assembly



· Loading test



· Aging test



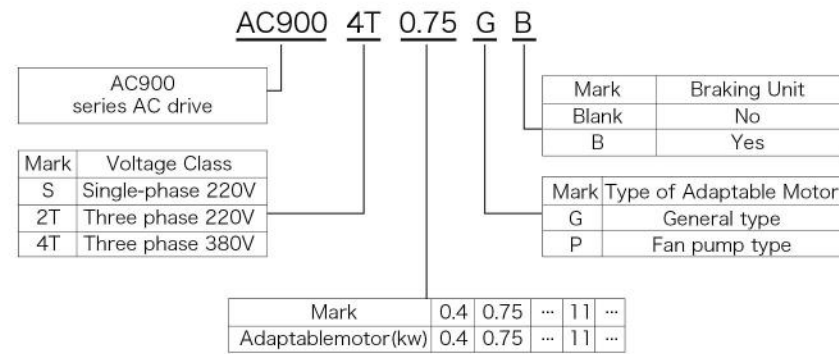
· Packed product

AC900

Model and technical data

AC900 series inverter is a general purpose high performance current vector inverter, mainly used to control and adjust the speed of three-phase ac asynchronous motor. AC900 adopts high performance vector control technology, low speed and high torque output, with good dynamic characteristics and super overload capacity.

Name plate



AC900

Frequency Converter Characteristics



1. Power range 0.75kw -500KW;

Support PMSM vector control without absolute position feedback.

2. New speed sensorless vector control performance

No velocity sensor vector control can output 150% rated torque at 0.5hz;Sensorless vector control is less sensitive to motor parameters and improves field adaptability.It can be used for winding control and load distribution under the same load with multiple motors.

3. High starting torque characteristics

AC900 inverter provides 150% sensorless vector control of starting torque at 0.5Hz.

4. Exceptional responsiveness

Under sensorless vector control, the torque response is < 20MS.

5. Torque limit for protection machinery

The AC900 inverter can provide torque limit. When the torque instruction exceeds the maximum torque that the machine can bear, the inverter can better protect the equipment by limiting the torque within the maximum torque set to exert the maximum mechanical efficiency.

6. Flexible and practical analog input/output port

For each analog quantity input (AI1~AI2), curves of 4

points can be set respectively, which is more flexible to use.AI1~AI2 can be calibrated at the factory or the user's site, and the accuracy is up to 20MV.AO can be calibrated at factory or on site for zero drift and gain of linear curve with an accuracy of 20MV.

7. Fast current limiting function

Fast current limiting function can avoid frequency frequency converter overcurrent alarm.When the current exceeds the current protection point, the fast current limiting function can quickly limit the current within the current protection point, so as to protect the safety of the equipment and avoid over-current alarm caused by sudden load or interference.

8. Instant stop

This function means that the inverter will not stop when the power is cut off.In the case of instantaneous power failure or sudden voltage reduction, the inverter reduces the output speed, through the load feedback energy, compensation voltage reduction, to maintain the inverter in a short time to continue to run.

9. Environmental resistant design

With dustproof, moisture-proof and mildewproof paint treatment process;Wide voltage range design;Full series of independent duct design.

AC900

Model and technical data

AC drive model	Power capacity(kVA)	Input current A	Output current A	Adaptable Motor	
				kW	HP
Single-phase power: 220V, 50/60Hz					
AC900-S0.75GB	1.5	8.2	4.0	0.75	1
AC900-S1.5GB	3.0	14.0	7.0	1.5	2
AC900-S2.2GB	4.0	23.0	9.6	2.2	3
Three-phase power:220V, 50/60Hz					
AC900-2T0.75GB	3	5	3.8	0.75	1
AC900-2T1.5GB	4	5.8	5.1	1.5	2
AC900-2T2.2GB	5.9	10.5	9	2.2	3
AC900-2T3.7GB	8.9	14.6	13	3.7	5
AC900-2T5.5GB	17	26	25	5.5	7.5
AC900-2T7.5GB	21	35	32	7.5	10
AC900-2T11G	30	46.5	45	11	15
AC900-2T15G	40	62	60	15	20
AC900-2T18.5G	57	76	75	18.5	25
AC900-2T22G	69	92	91	22	30
AC900-2T30G	85	113	112	30	40
AC900-2T37G	114	157	150	37	50
AC900-2T45G	134	180	176	45	60
AC900-2T55G	160	214	210	55	75
AC900-2T75G	231	307	304	75	100
Three-phase power: 380V, 50/60Hz					
AC900-4T0.75GB	1.5	3.4	2.1	0.75	1
AC900-4T1.5GB	3.0	5.0	3.8	1.5	2
AC900-4T2.2GB	4.0	5.8	5.1	2.2	3
AC900-4T3.0GB	5.0	8.0	7.0	3.0	4
AC900-4T4.0GB	5.9	10.5	9.0	4.0	5
AC900-4T5.5GB	8.9	14.6	13.0	5.5	7.5
AC900-4T7.5GB	11.0	20.5	17.0	7.5	10
AC900-4T11GB	17.0	26.0	25.0	11.0	15
AC900-4T15GB	21.0	35.0	32.0	15.0	20
AC900-4T18.5GB	24.0	38.5	37.0	18.5	25
AC900-4T22G	30.0	46.5	45.0	22	30

ANCHUAN Electronics



AC900

Model and technical data

AC drive model	Power capacity(kVA)	Input current A	Output current A	Adaptable Motor	
				kW	HP
AC900-4T30G	40.0	62.0	60.0	30	40
AC900-4T37G	57.0	76.0	75.0	37	50
AC900-4T45G	69.0	92.0	91.0	45	60
AC900-4T55G	85.0	113.0	112.0	55	70
AC900-4T75G	114.0	157.0	150.0	75	100
AC9004T90G	134	180	176	90	125
AC9004T110G	160	214	210	110	150
AC9004T132G	192	256	253	132	175
AC9004T160G	231	307	304	160	250
AC9004T200G	250	385	377	200	300
AC9004T220G	280	430	426	220	300
AC9004T250G	355	468	465	250	400
AC9004T280G	396	525	520	280	370
AC9004T315G	445	590	585	315	500
AC9004T355G	500	665	650	355	420
AC9004T400G	565	785	725	400	530
AC9004T450G	630	883	820	450	600

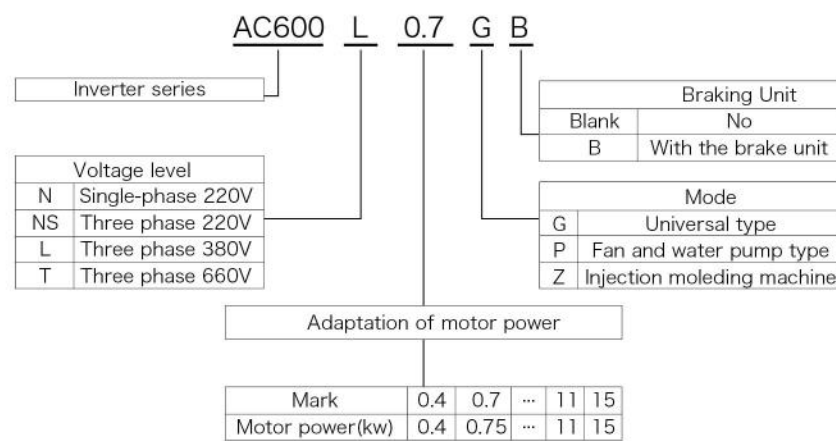


AC600

Model and technical data

AC600 series inverter adopts DSP control system to realize vector control without speed sensor and effectively suppress low-frequency oscillation. Rich terminals make applications more flexible. It is mainly used for fan and pump loads, which have higher requirements for speed control accuracy, torque response speed and low frequency output.

Name plate



AC600

Frequency Converter Characteristics



- Power range: 0.75kw ~ 500KW;
- Three control modes: pg-free vector control (SVC), V/F control, torque control;
- Starting torque: pg-free vector control: 0.5hz /150%(SVC);
- 16-stage simple PLC, multi-stage speed control and PID control;
- Support various frequency setting methods: digital setting, analog setting, PID setting, communication setting, etc.;
- Support dc braking when starting and stopping;
- Input and output terminals are freely programmed, and users can combine various working modes according to their needs;
- Equipped with jump frequency control function to avoid mechanical resonance and make the system more stable and reliable;
- With instantaneous power failure and non-stop function;
- Sleep and wake up delay setting function;
- Equipped with over-torque detection function;
- Selection of multiple upper limit frequency setting sources;
- Real-time parameters can be viewed through the shift key with two-way shift function;
- Equipped with speed tracking and restart function: realize smooth start without impact to the rotating motor;
- QUICK/JOG function: users can freely define the multi-function shortcut key. By setting this parameter, you can quickly browse the relevant function code which is modified and different from the factory default value;
- Automatic voltage adjustment function: when the grid voltage changes, automatically keep the output voltage constant;
- Oscillation suppression function: effectively solve the problem of low-frequency oscillation of high-power motor;
- Provide multiple fault protection functions: over current, over voltage, under voltage, over heat, lack of phase, overload and other protection functions.

AC600

Model and technical data

Model No.	Input voltage	Rated power (kW)	Rated input current(A)	Rated output current(A)	Compatible motor	
AC600N0.75G	Single phase 230V±15%	0.75	8	4	0.75	
AC600N1.5G		1.5	14.2	7.0	1.5	
AC600N2.2G		2.2	23.0	10	2.2	
AC600NS0.75G	3-phase 230V±15%	0.75	5.0	4.5	0.75	
AC600NS1.5G		1.5	7.7	7	1.5	
AC600NS2.2G		2.2	11.0	10	2.2	
AC600NS4.0G		3.7	17.0	16	3.7	
AC600NS5.5G		5.5	21.0	20	5.5	
AC600NS7.5G		7.5	31.0	30	7.5	
AC600NS11G		11.0	43.0	42	11.0	
AC600NS15G		15.0	56.0	55	15.0	
AC600NS18G		18.5	71.0	70	18.5	
AC600NS22G		22.0	81.0	80	22.0	
AC600NS30G		30.0	112.0	110	30.0	
AC600NS37G		37.0	132.0	130	37.0	
AC600NS45G		45.0	163.0	160	45.0	
AC600NS55G		55.0	181.0	190.0	55.0	
AC600L0.75G		3-phase 400V±15%	0.75	3.4	2.5	0.75
AC600L1.5G			1.5	5.0	3.7	1.5
AC600L2.2G	2.2		5.8	5	2.2	
AC600L4.0G	4.0		10	9	4.0	
AC600L5.5G	5.5		15	13	5.5	
AC600L7.5G	7.5		20	17	7.5	
AC600L11G	11.0		26	25	11.0	
AC600L15G	15.0		35	32	15.0	
AC600L18G	18.5		38	37	18.5	
AC600L22G	22.0		46	45	22.0	
AC600L30G	30.0		62	60	30.0	
AC600L37G	37.0		76	75	37.0	

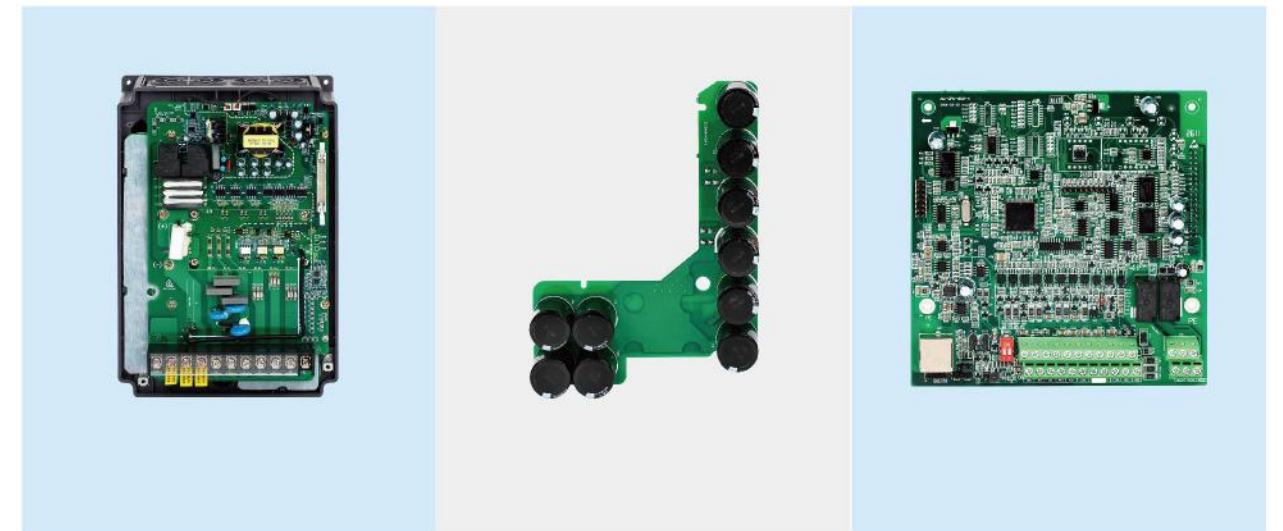
ANCHUAN Electronics



AC600

Model and technical data

Model No.	Input voltage	Rated power (kW)	Rated input current(A)	Rated output current(A)	Compatible motor
AC600L45G	3-phase 400V±15%	45.0	90	90	45.0
AC600L55G		55.0	105	110	55.0
AC600L75G		75.0	140	150	75.0
AC600L90G		90.0	160	176	90.0
AC600L110G		110.0	210	210	110.0
AC600L132G		132.0	240	250	132.0
AC600L160G		160.0	290	300	160.0
AC600L185G		185.0	330	340	185.0
AC600L200G		200.0	370	380	200.0
AC600L220G		220.0	410	415	220.0
AC600L250G		250.0	460	470	250.0
AC600L280G		280.0	500	520	280.0
AC600L315G		315.0	580	600	315.0
AC600L350G		350.0	620	640	350.0
AC600L400G		400.0	670	690	400.0
AC600L500G		500.0	835	860	500.0



PLC Controller



Function and performance:

- ◆ Frequency setting mode: digital setting, analog setting, serial communication setting, multi-segment speed setting, simple PLC setting, PID setting, etc., can realize setting combination and mode switching.
- ◆ PID control function
- ◆ Simple PLC, multi - speed control function: 16 - speed control
- ◆ Swing frequency control function
- ◆ Instantaneous power failure without stopping function
- ◆ MF.K key function: user-defined multi-function shortcut keys
- ◆ Automatic voltage adjustment function: when the grid voltage changes, it can automatically keep the output voltage constant
- ◆ Provide a variety of fault protection functions: over current, over voltage, under voltage, over heat, lack of phase, overload and other protection functions

ANCHUAN
Electronics



SCIENCE AND TECHNOLOGY ENTERPRISES
MANUFACTURING EXCELLENCE

